

## UK10 01 218 INOX



**APPLICATION:**

Wall uplights, with symmetrical emission of light.

**BODY:**

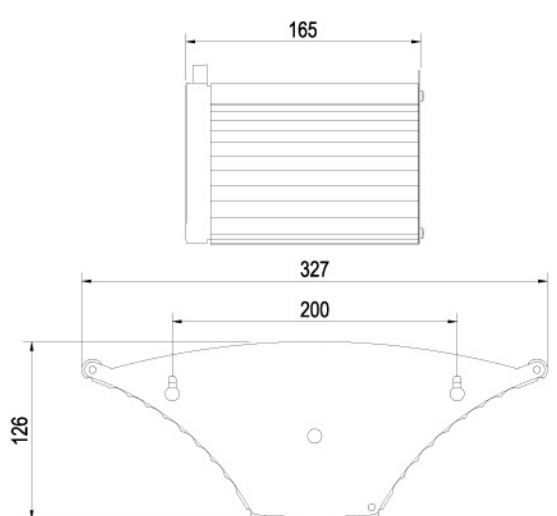

Anodized and extruded aluminium body profile with injected aluminium end caps, in aluminium colour.

**OPTIC:**

Open upper-body, which assures indirect lighting.

**WIRING:**

Luminaire wired with electromagnetic ballast.

Voltage / Frequence	230V ~ 50Hz	
Electrical Class	Classe I	
N° of lamps x Wattage (W)	2x18	
Lamp Type / Lamp Cap	TC-D/G24d2	
Efficiency (%) and Photometric Class		
Index of protection (watertightness)	IP20	
Resistance to Glow Wire (°C)	960	
Mechanical impact protection index		
Cable max temperature (°C)	90	
Product Certification Marks		
Other Marks		
Electrical safety norm	EN 60598-2-1	
CEM Norm	EN 61547, EN55015, EN61000-3-2	
Other applicable norms:	2001/95/EC - Product General Safety 85/374CE - Civil Liability for Defective Products 1999/34/CE - Civil Liability for Defective Products	

Polar Diagram