

## ELIT 01 8M-180m



### APPLICATION:

Surface mounting or semi-recessed emergency maintained luminaire.

### BODY:

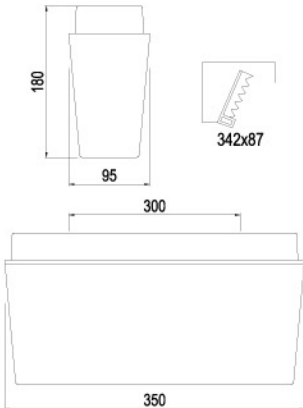



Fiber glass reinforced polyester luminaire base with neoprene gasket to guarantee no leakage.

### OPTIC:

White coated soft steel sheet inner reflector.  
Clear polycarbonate diffuser with two faces.

### WIRING:

Luminaire wired with electromagnetic ballast.

Voltage / Frequence	230V ~ 50Hz	<b>ACCESSORIES:</b> Semi-recessing bezel. Decorative frame. ELI/ELIT protection grid.
Electrical Class	Classe I	
N° of lamps x Wattage (W)	1x8	
Lamp Type / Lamp Cap	T5/G5	
Efficiency (%) and Photometric Class		
Index of protection (watertightness)	IP65	
Resistance to Glow Wire (°C)	750	
Mechanical impact protection index	IK08	
Cable max temperature (°C)	90	
Product Certification Marks	 	
Other Marks		
Electrical safety norm	EN 60598-2-22	
CEM Norm	EN 61547, EN55015, EN61000-3-2	
Other applicable norms:	2001/95/EC - Product General Safety 85/374CE - Civil Liability for Defective Products 1999/34/CE - Civil Liability for Defective Products	

### Polar Diagram